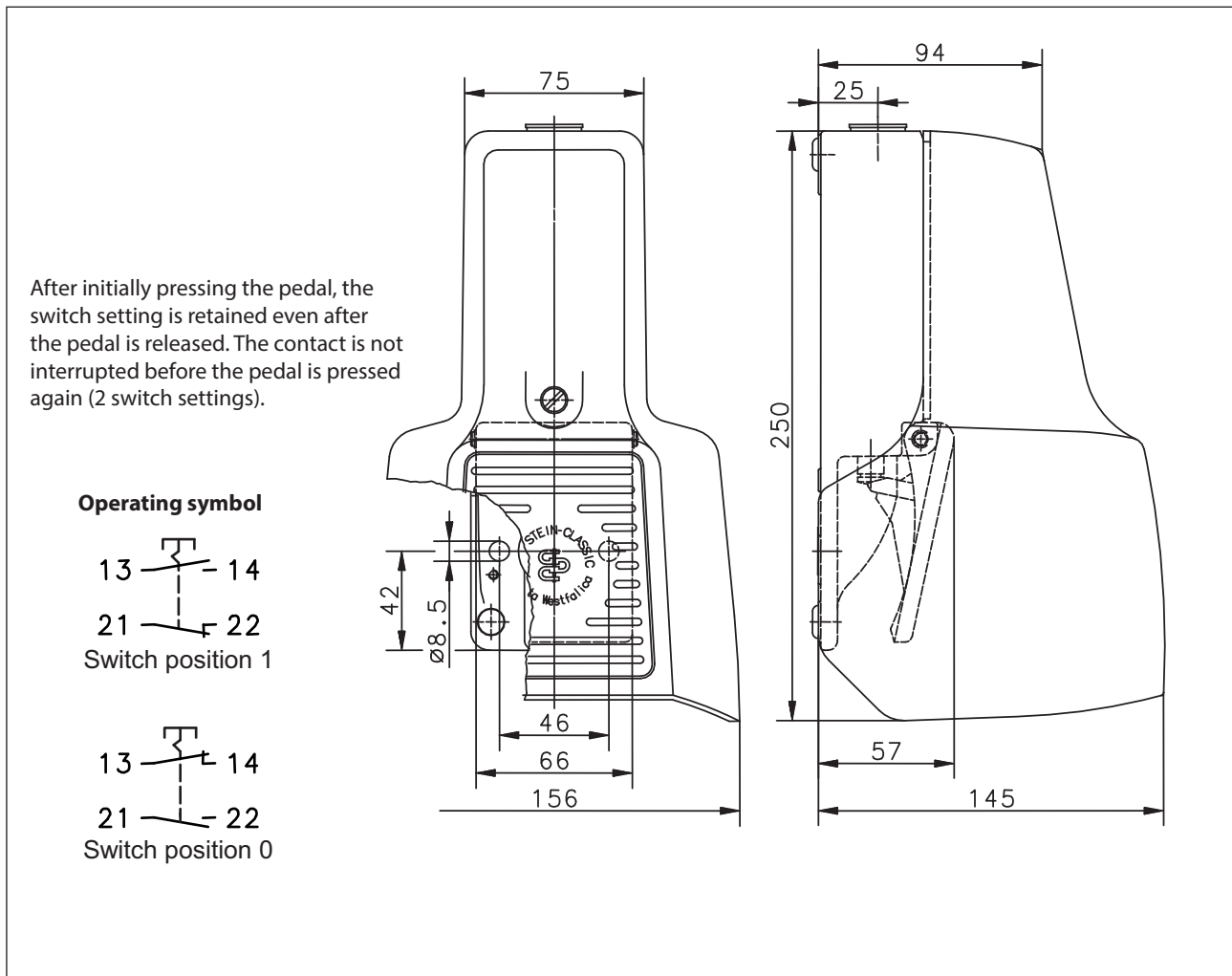


Foot-switch Series F1

Description **F1-SU1Y LS22 UN**

Article number **6061800439**



Electrical data - Built-in switch

Rated insulation voltage	U_i	400 V AC
Conv. thermal current	I_{the}	10 A
Rated operational voltage	U_e	240 V
Utilization category		AC-15, U_e 240 V / I_e 3 A
Short-circuit protective device		Fuse 2 A gG
Protection class		I

Electrical data - Power contactor		
Rated insulation voltage	U_i	690 V AC
Conventional thermal current	I_{the}	16 A @ 400 V AC @ AC-1 8,4 A @ 400 V AC @ AC-2 and AC-3
Rated operational voltage	U_e	230 V AC @ 50 Hz
Rated operational power		7 VA
Ambient air temperature		-25 °C ... +55 °C
Contact type		3 N.O, 1 N.C
Connection		screw terminals (M3)
Conductor cross-sections	Solid:	2 x 0,5 – 2,5 mm ² , 1 x 4 mm ² 2 x 20-14 AWG, 1 x 12 AWG
	Wire with ferrules:	2 x 0,5 – 1,5 mm ² 1 x 2,5mm ²

Mechanical Data	
Enclosure	AL, die-cast
Protective guard (Accident protection cover UN)	AL, die-cast
Actuator	Foot lever (PA)
Ambient air temperature	-30 °C ... +80 °C
Contact type	1 N.C. / 1 N.O. (Zb) with latching
Operating force	≈ 10 N (pedal centre)
Mechanical life	1 x 10 ⁶ switching cycles
Switching frequency	≤ 50/min
Assembly	2 x M8
Connection	Screw connections (M3,5)
Number of connections	4
Protection ground	2 x M4
Conductor cross-sections	Solid: 0,5 ... 1,5 mm ² Litz wire with ferrules: 0,5 ... 1,5 mm ²
Cable entry size	1 x M20 x 1,5
Weight including protective guard	≈ 1,5 kg
Protection type	IP 65 acc. to IEC/EN 60529

ID for safety engineering	
B10d	2 x 10 ⁶ cycles

Standards	
	VDE 0660 T100, DIN EN 60947-1, IEC 60947-1
	VDE 0660 T200, DIN EN 60947-5-1, IEC 60947-5-1
	VDE 0660 T102, DIN EN 60947-4-1, IEC 60947-4-1
	DIN EN ISO 13849-1

EU Conformity	
	acc. to directive 2014/35/EU

Approvals	
	CCC

Notes

The specified protection classification (IP code) applies only when the cover is closed and the appropriate cable is used, in accordance with the clamping range of the above mentioned cable gland.